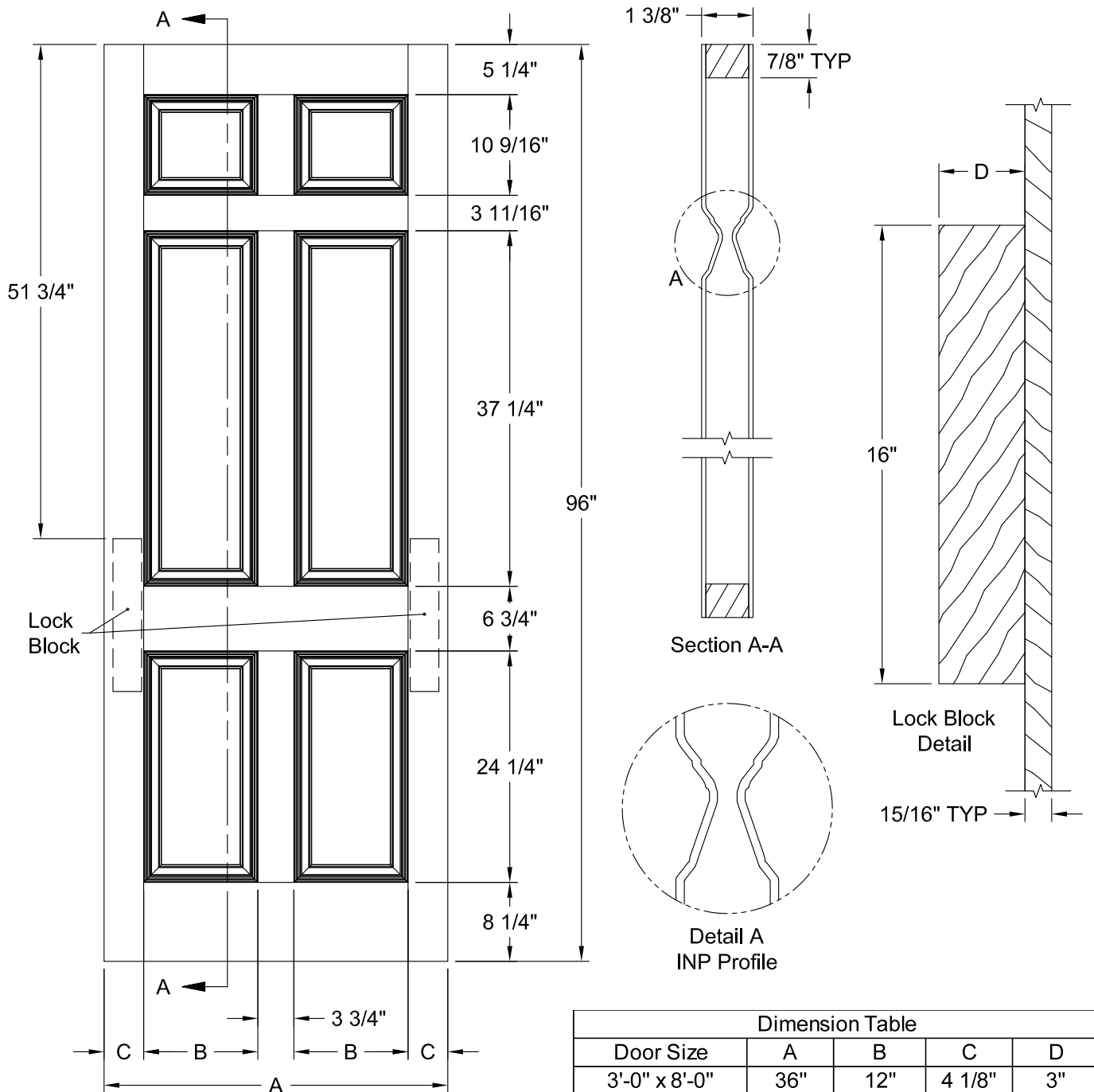




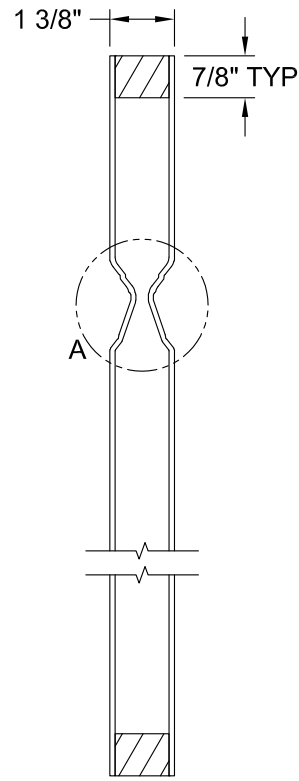
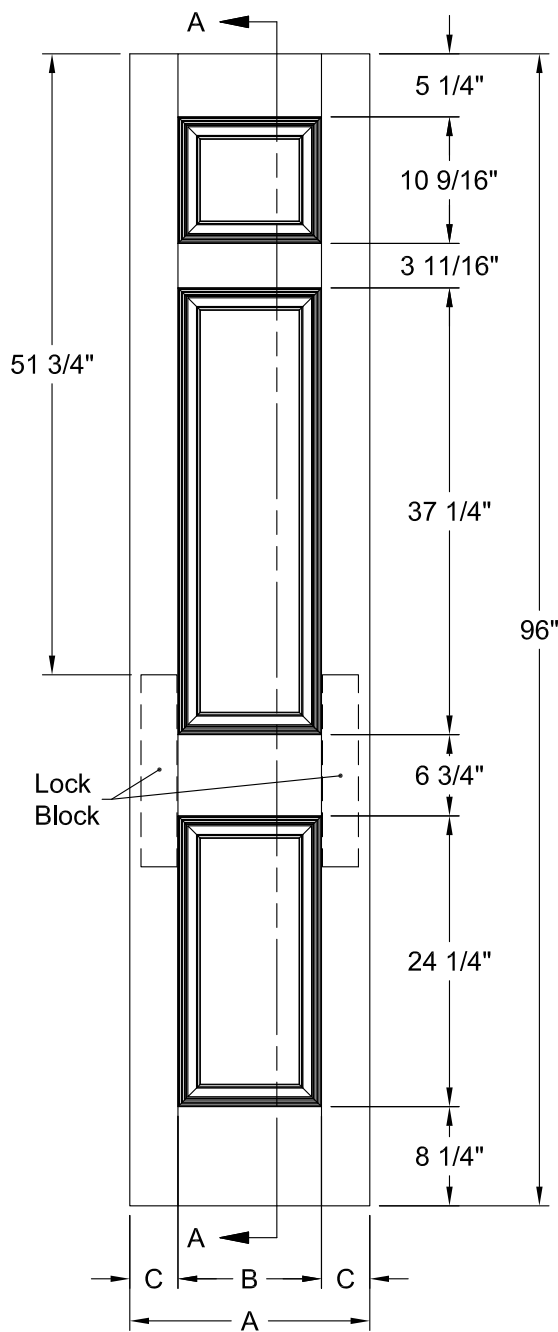
COLONIST PINE GRAIN 8'-0"



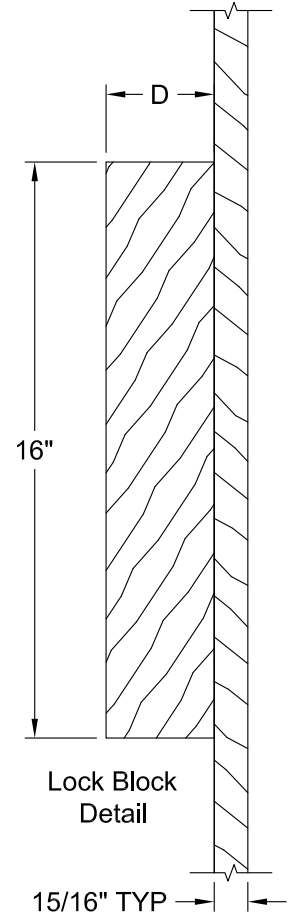
Dimension Table				
Door Size	A	B	C	D
3'-0" x 8'-0"	36"	12"	4 1/8"	3"
2'-10" x 8'-0"	34"	10"	5 1/8"	3"
2'-8" x 8'-0"	32"	10"	4 1/8"	3"
2'-6" x 8'-0"	30"	9"	4 1/8"	3"
2'-4" x 8'-0"	28"	8"	4 1/8"	3"
2'-2" x 8'-0"	26"	6"	5 1/8"	3"
2'-0" x 8'-0"	24"	6"	4 1/8"	3"
1'-10" x 8'-0"	22"	6"	3 1/8"	2 1/8"



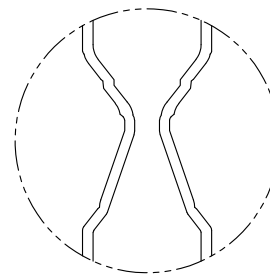
COLONIST PINE GRAIN 8'-0"



Section A-A



Lock Block Detail

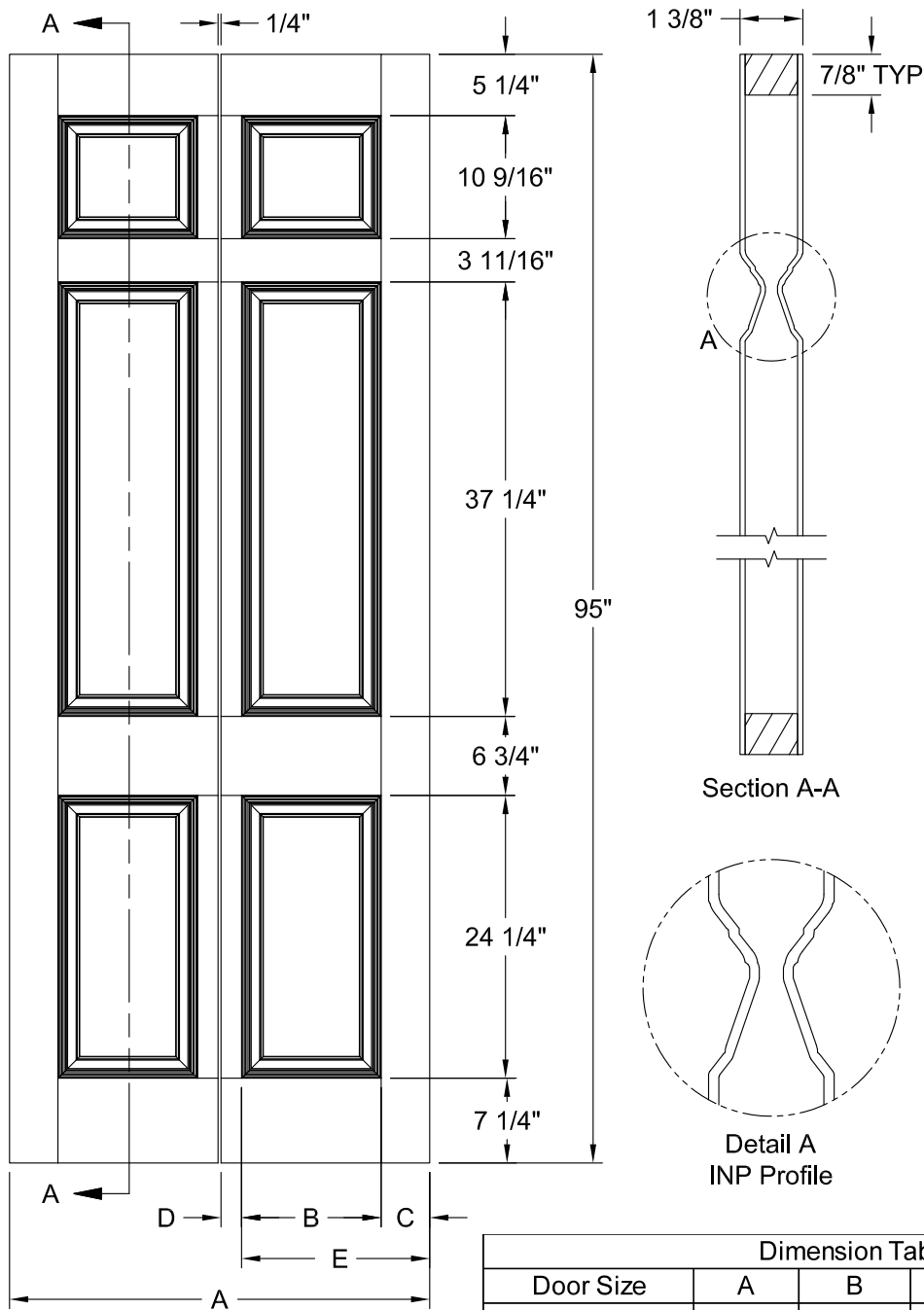


Detail A  
INP Profile

Dimension Table				
Door Size	A	B	C	D
1'-8" x 8'-0"	20"	12"	4"	3"
1'-6" x 8'-0"	18"	12"	3"	1 5/8"
1'-4" x 8'-0"	16"	7"	4 1/2"	3"
1'-3" x 6'-8"	15"	7"	4"	3"
1'-2" x 6'-8"	14"	7"	3 1/2"	2 1/8"
1'-0" x 6'-8"	12"	7"	2 1/2"	1 3/8"



COLONIST BIFOLD PINE GRAIN 8'-0"



Dimension Table					
Door Size	A	B	C	D	E
3'-0" x 8'-0"	36"	10"	5 3/4"	2 3/8"	17 7/8"
2'-10" x 8'-0"	34"	10"	4 3/4"	2 3/8"	16 7/8"
2'-8" x 8'-0"	32"	10"	3 3/4"	2 3/8"	15 7/8"
2'-6" x 8'-0"	30"	10"	2 3/4"	2 3/8"	14 7/8"
2'-4" x 8'-0"	28"	10"	1 3/4"	1 3/8"	13 7/8"
2'-2" x 8'-0"	26"	6"	5 1/8"	1 3/4"	12 7/8"
2'-0" x 8'-0"	24"	6"	4 1/8"	1 3/4"	11 7/8"
1'-10" x 8'-0"	22"	6"	3 1/8"	1 3/4"	10 7/8"