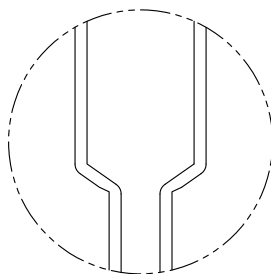
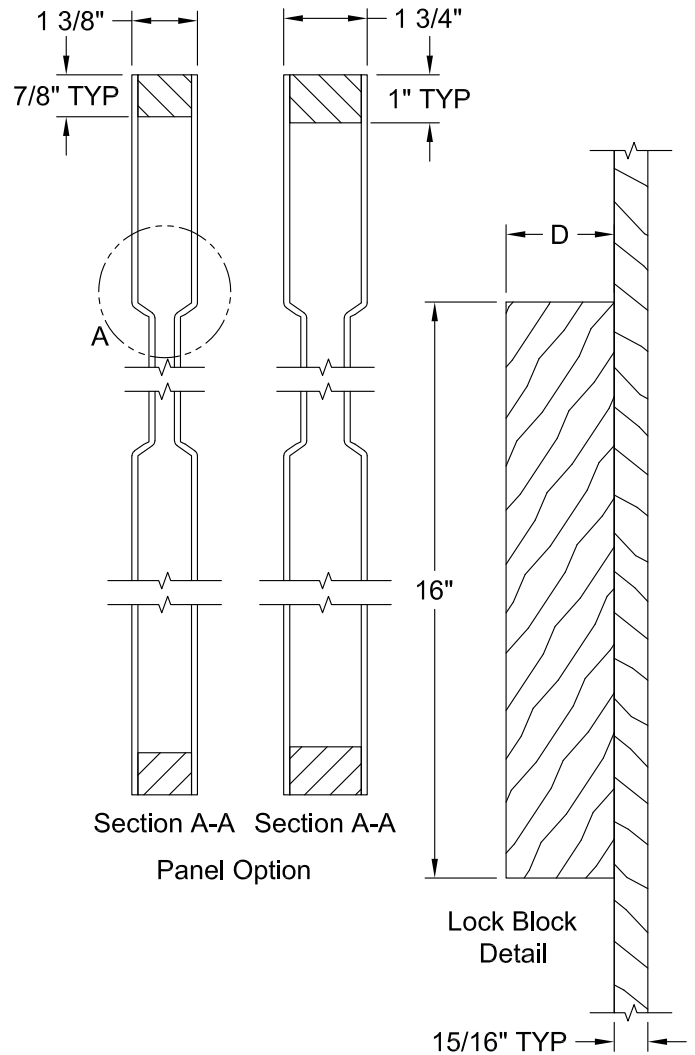
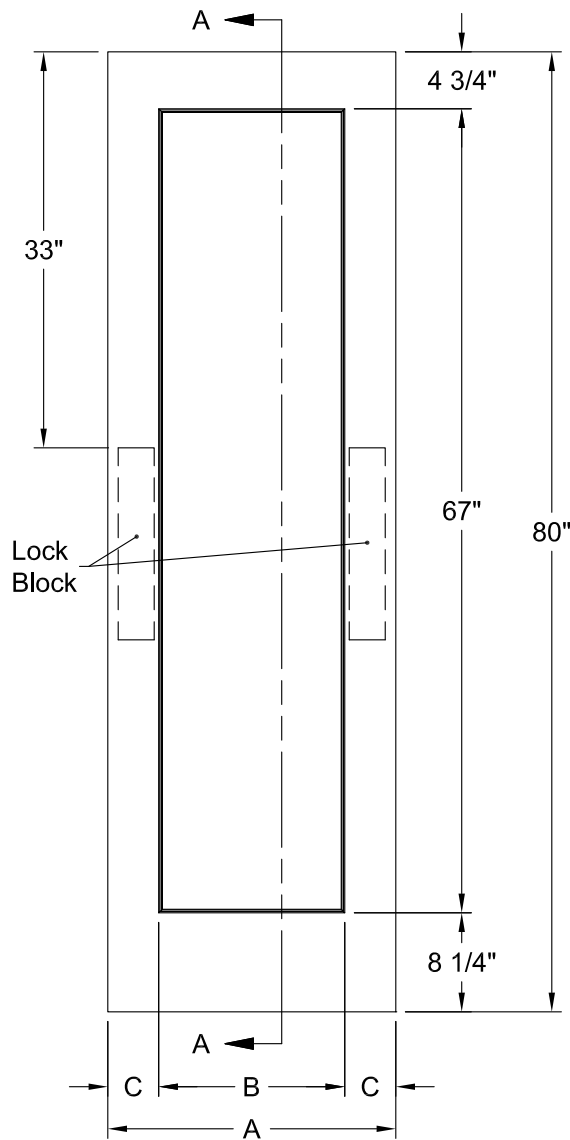




MADISON SMOOTH 6'-8"

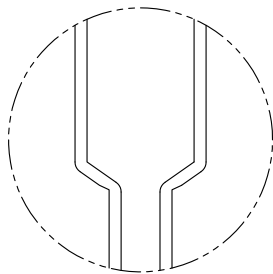
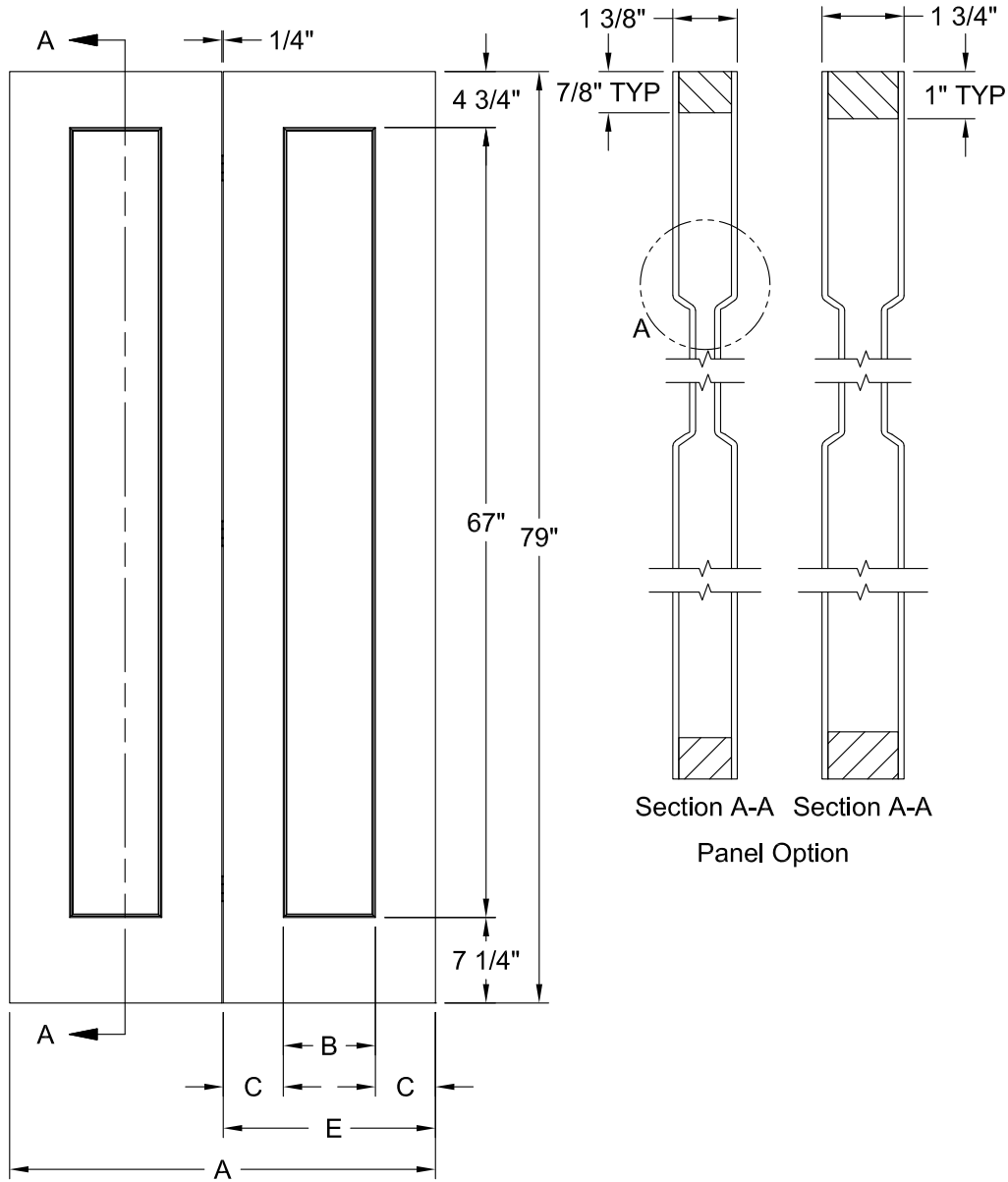


Detail A  
Craftsman Sticking

Dimension Table				
Door Size	A	B	C	D
3'-0" x 6'-8"	36"	26 1/2"	4 3/4"	3"
2'-10" x 6'-8"	34"	22 1/2"	5 3/4"	3"
2'-8" x 6'-8"	32"	22 1/2"	4 3/4"	3"
2'-6" x 6'-8"	30"	20 1/2"	4 3/4"	3"
2'-4" x 6'-8"	28"	18 1/2"	4 3/4"	3"
2'-2" x 6'-8"	26"	15 1/2"	5 1/4"	3"
2'-0" x 6'-8"	24"	15 1/2"	4 1/4"	3"
1'-10" x 6'-8"	22"	11 1/2"	5 1/4"	3"
1'-8" x 6'-8"	20"	11 1/2"	4 1/4"	3"
1'-6" x 6'-8"	18"	7 13/16"	5 3/32"	3"
1'-4" x 6'-8"	16"	7 13/16"	4 3/32"	3"
1'-3" x 6'-8"	15"	5 3/8"	4 13/16"	3"
1'-2" x 6'-8"	14"	5 3/8"	4 5/16"	3"
1'-0" x 6'-8"	12"	5 3/8"	3 5/16"	2 1/8"



MADISON BIFOLD SMOOTH 6'-8"



Detail A  
Craftsman Sticking

Dimension Table				
Door Size	A	B	C	E
3'-0" x 6'-8"	36"	7 13/16"	5 1/32"	17 7/8"
2'-8" x 6'-8"	32"	7 13/16"	4 1/32"	15 7/8"
2'-6" x 6'-8"	30"	5 3/8"	4 3/4"	14 7/8"
2'-4" x 6'-8"	28"	5 3/8"	4 1/4"	13 7/8"
2'-0" x 6'-8"	24"	4 1/4"	3 13/16"	11 7/8"