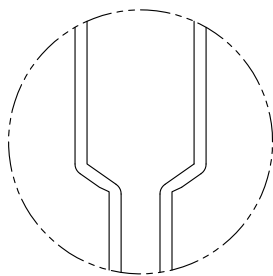
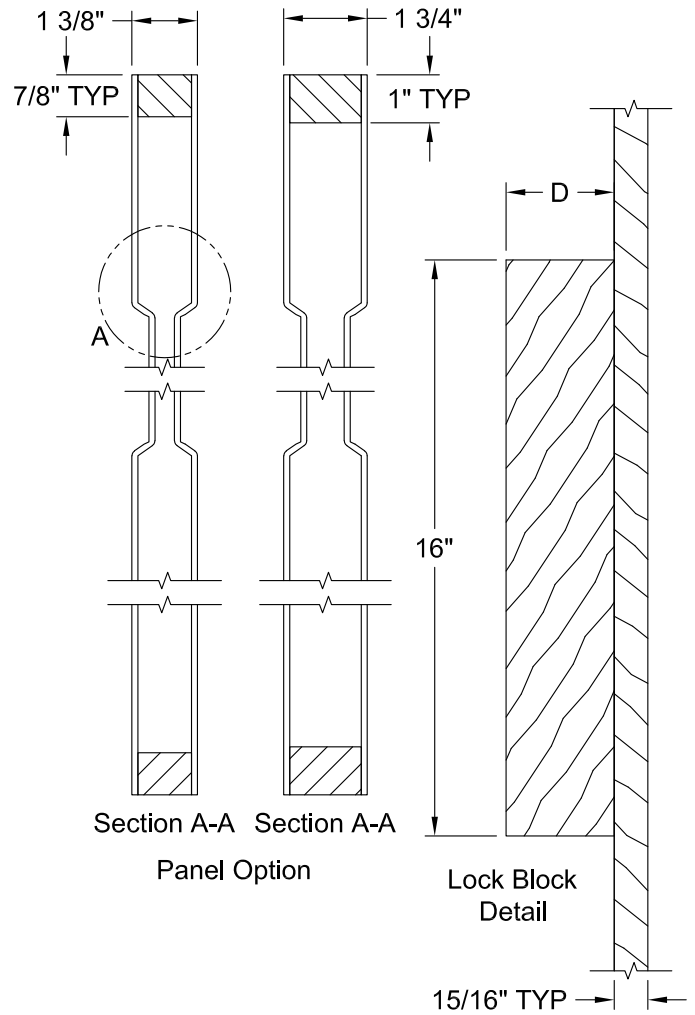
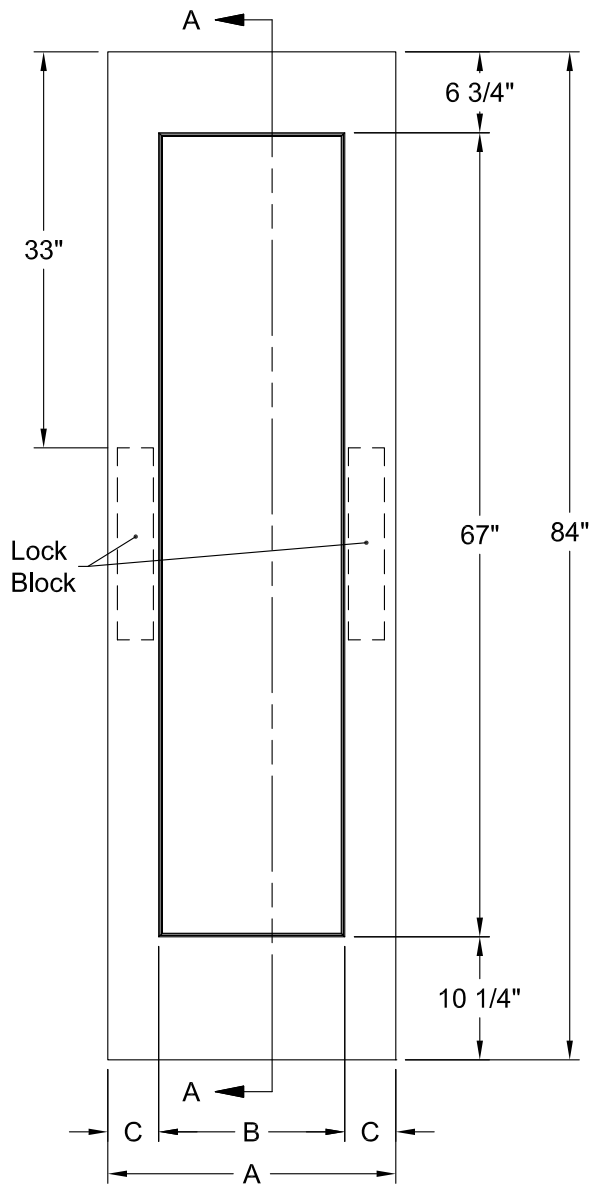
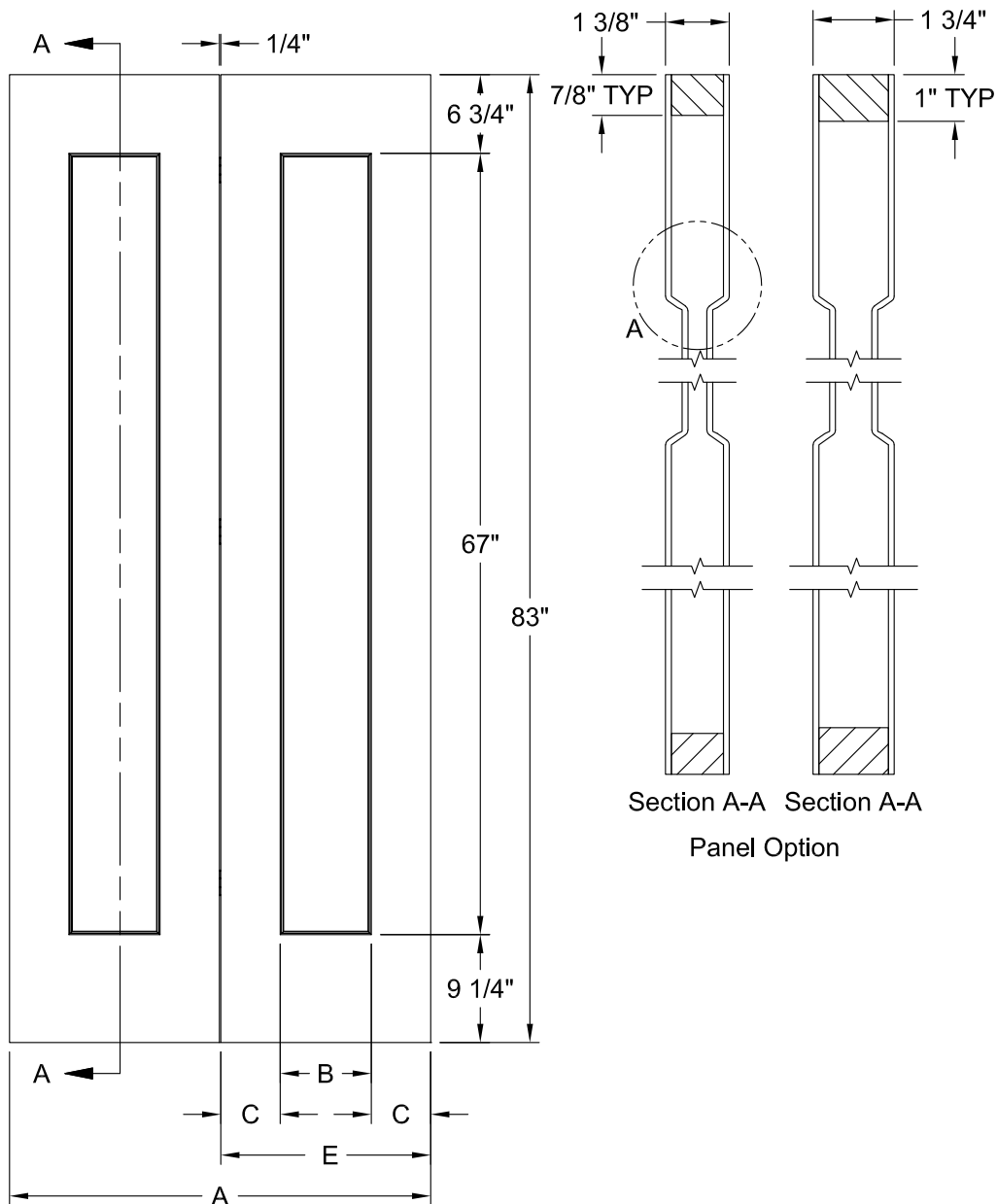
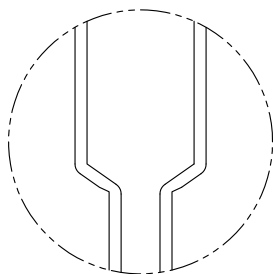


MADISON SMOOTH 7'-0"



Detail A
Craftsman Sticking

Dimension Table				
Door Size	A	B	C	D
3'-0" x 7'-0"	36"	26 1/2"	4 3/4"	3"
2'-10" x 7'-0"	34"	22 1/2"	5 3/4"	3"
2'-8" x 7'-0"	32"	22 1/2"	4 3/4"	3"
2'-6" x 7'-0"	30"	20 1/2"	4 3/4"	3"
2'-4" x 7'-0"	28"	18 1/2"	4 3/4"	3"
2'-2" x 7'-0"	26"	15 1/2"	5 1/4"	3"
2'-0" x 7'-0"	24"	15 1/2"	4 1/4"	3"
1'-10" x 7'-0"	22"	11 1/2"	5 1/4"	3"
1'-8" x 7'-0"	20"	11 1/2"	4 1/4"	3"
1'-6" x 7'-0"	18"	7 13/16"	5 3/32"	3"
1'-4" x 7'-0"	16"	7 13/16"	4 3/32"	3"
1'-3" x 7'-0"	15"	5 3/8"	4 14/16"	3"
1'-2" x 7'-0"	14"	5 3/8"	4 5/16"	3"
1'-0" x 7'-0"	12"	5 3/8"	3 5/16"	2 1/8"

MADISON BIFOLD SMOOTH 7'-0"

 Section A-A Section A-A
 Panel Option

 Detail A
 Craftsman Sticking

Dimension Table				
Door Size	A	B	C	E
3'-0" x 7'-0"	36"	7 13/16"	5 3/32"	17 7/8"
2'-8" x 7'-0"	32"	7 13/16"	4 3/32"	15 7/8"
3'-6" x 7'-0"	30"	5 3/8"	4 13/16"	14 7/8"
2'-4" x 7'-0"	28"	5 3/8"	4 5/16"	13 7/8"
2'-0" x 7'-0"	24"	4 1/4"	3 7/8"	11 7/8"