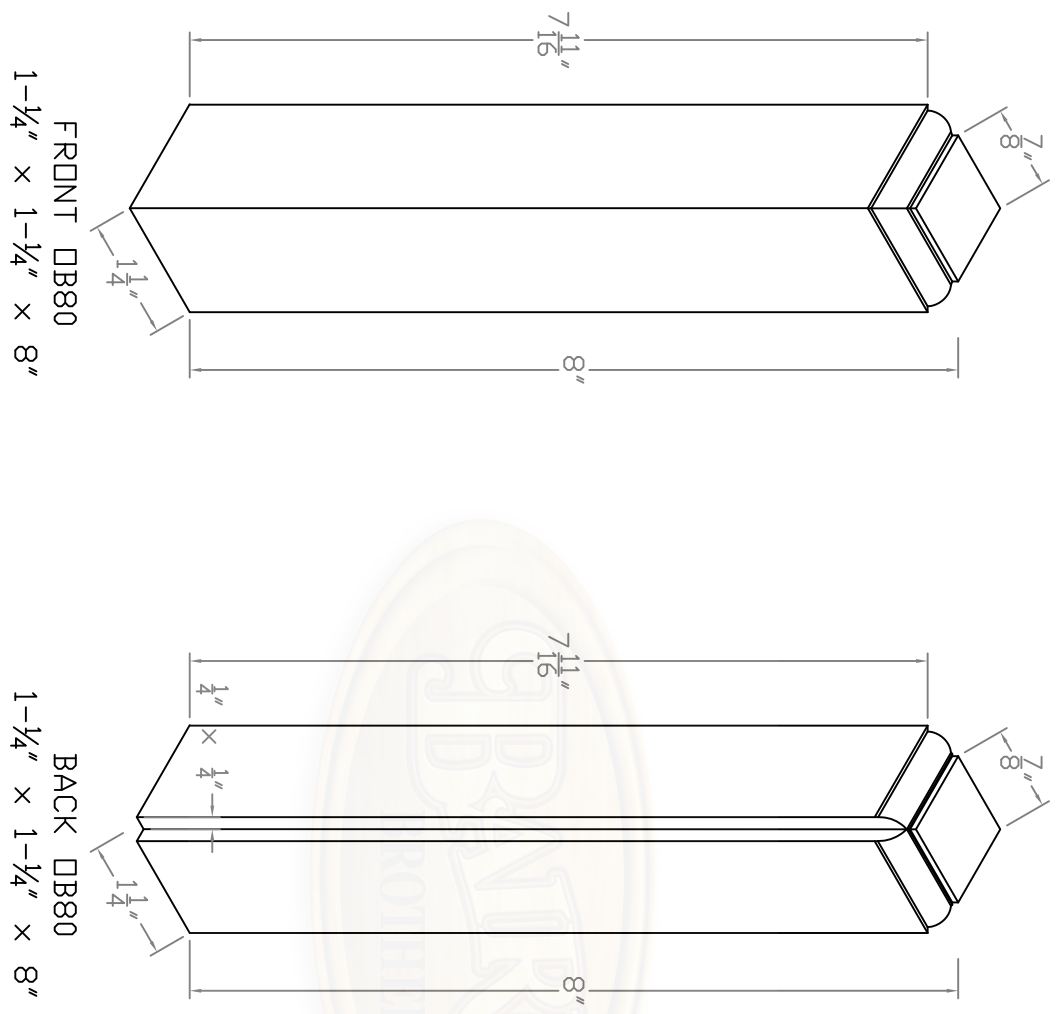


Baird Bros.
DB80 Base Block



FRONT DB80
1-1/4" x 1-1/4" x 8"

BACK DB80
1-1/4" x 1-1/4" x 8"

Baird Brothers Fine Hardwoods
Baird Brothers Sawmill Inc. www.BairdBrothers.com
7060 Croy Rd. Canfield, OH 44406
(330) 533-3122 (800) 732-1697

DATE:	8/28/19	DRAWN BY:	BPT	SHEET:	1 of 1
SCALE:	1:2	REV		REV BY:	
DRAWING #:	DB80	THIS DRAWING IS PROPERTY OF BAIRD BROTHERS SAWMILL INC.			