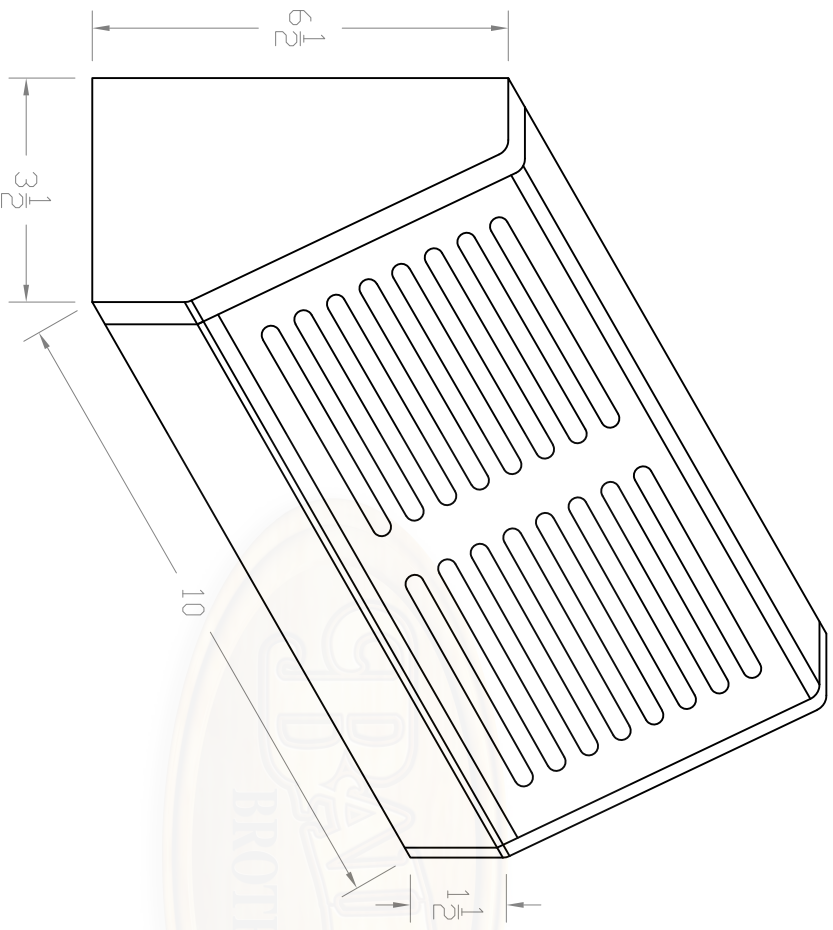
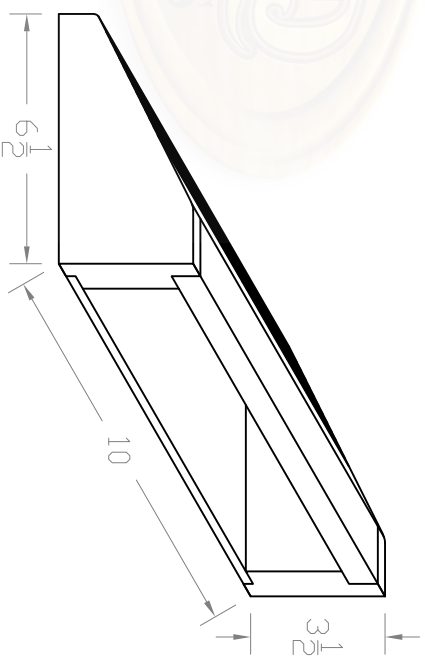


Baird Bros.  
 3-1/2" x 10" 3D  
 Register Grill Cover



**A** ISO VIEW  
 Scale: 1:3



**B** BOTTOM ISO VIEW  
 Scale: 1:3

- Note:**
- \* 22.5 sq. in (nominal) Duct Opening
  - \* 22.3 sq. in Grill Opening
  - \* 99% Grill Opening to Duct Opening

**Baird Brothers Fine Hardwoods**  
 Baird Brothers Sawmill Inc. www.BairdBrothers.com  
 7060 Croy Rd. Canfield, OH 44406  
 (330) 533-3122 (800) 732-1697

DATE: 1/16/17	DRAWN BY: JEC	SHEET: 1 OF 1
SCALE: 1:3	REV	REV BY:
DRAWING #: 3D410	REV DATE:	REV BY:
THIS DRAWING IS PROPERTY OF BAIRD BROTHERS SAWMILL INC.		