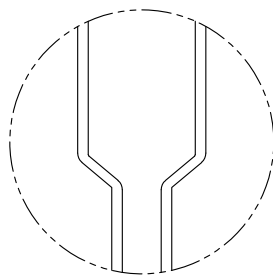
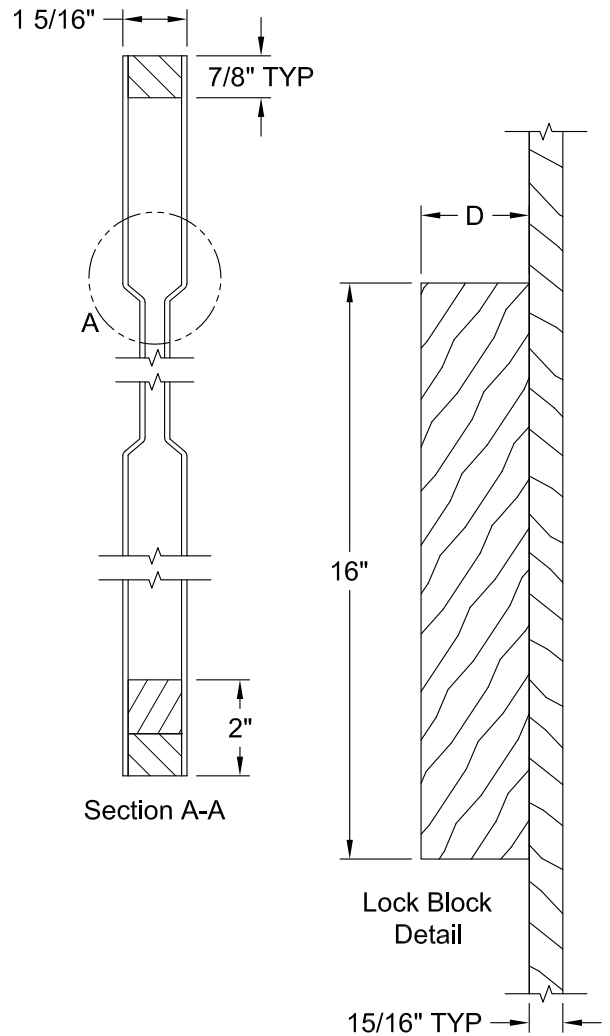
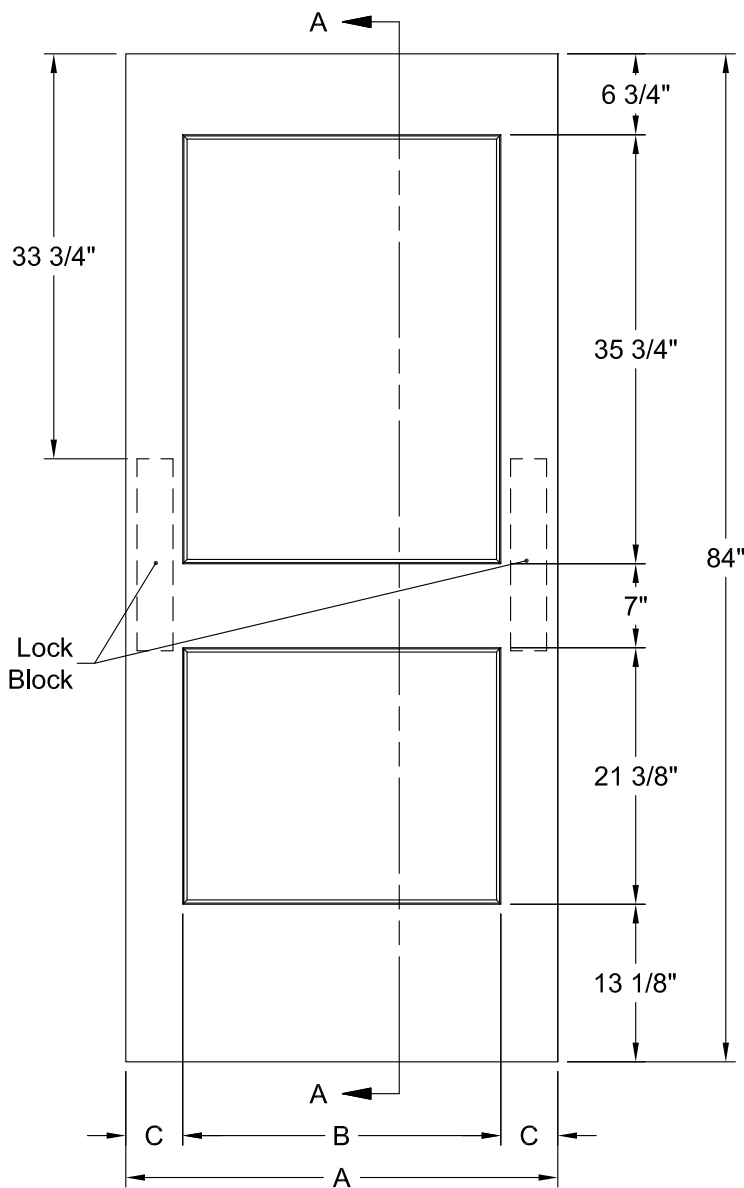




MONROE SMOOTH 7'-0"

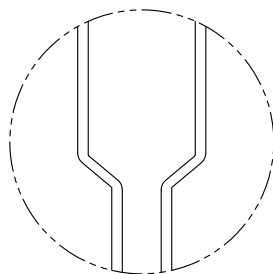
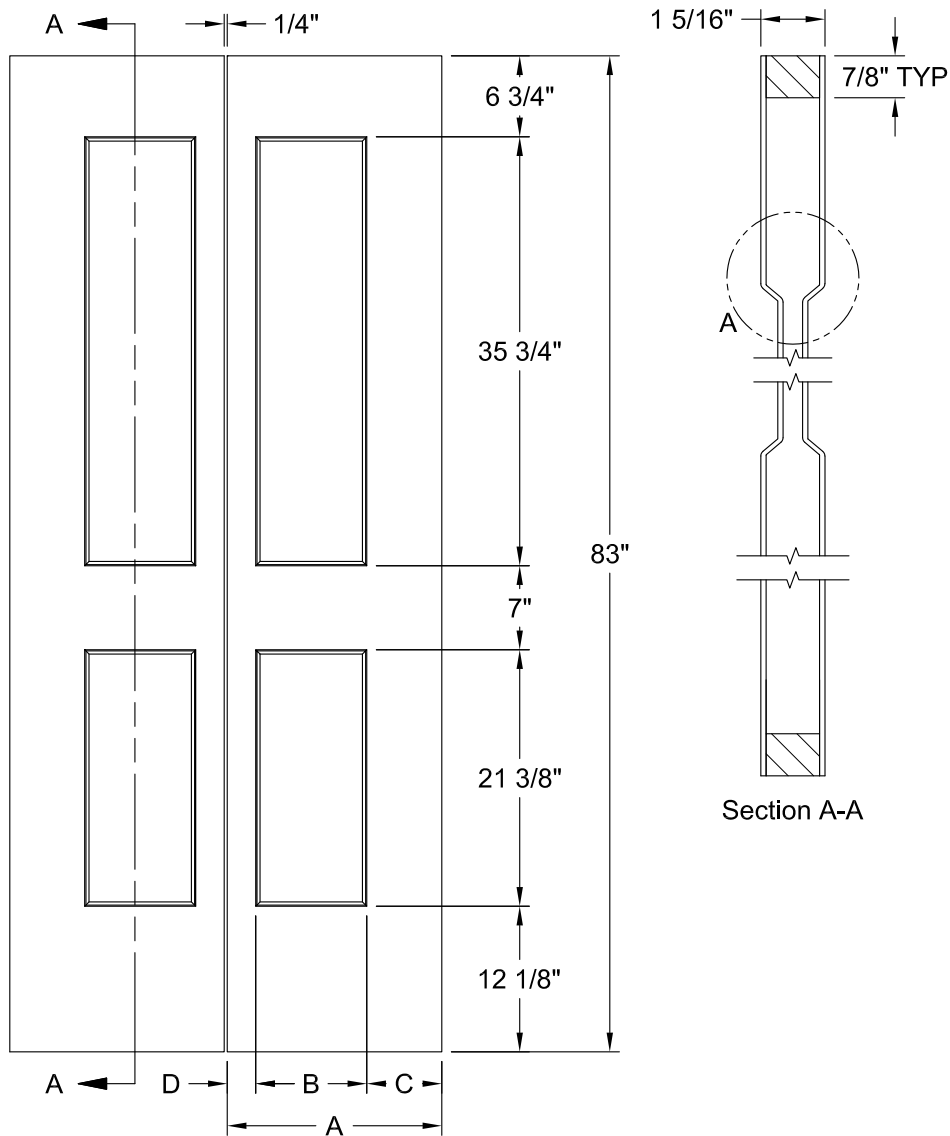


Detail A  
Monroe Profile

Dimension Table				
Door Size	A	B	C	D
3'-0" x 7'-0"	36"	26 1/2"	4 3/4"	3"
2'-10" x 7'-0"	34"	22 1/2"	5 3/4"	3"
2'-8" x 7'-0"	32"	22 1/2"	4 3/4"	3"
2'-6" x 7'-0"	30"	20 1/2"	4 3/4"	3"
2'-4" x 7'-0"	28"	18 1/2"	4 3/4"	3"
2'-2" x 7'-0"	26"	15 1/2"	5 1/4"	3"
2'-0" x 7'-0"	24"	15 1/2"	4 1/4"	3"
1'-10" x 7'-0"	22"	11 1/2"	5 1/4"	3"
1'-8" x 7'-0"	20"	11 1/2"	4 1/4"	3"
1'-6" x 7'-0"	18"	9 1/4"	4 3/8"	3"
1'-4" x 7'-0"	16"	9 1/4"	3 3/8"	2 1/8"
1'-3" x 7'-0"	15"	7 1/2"	3 3/4"	2 11/16"
1'-2" x 7'-0"	14"	7 1/2"	3 1/4"	2 1/8"
1'-0" x 7'-0"	12"	6"	3"	1 5/8"



MONROE BIFOLD SMOOTH 7'-0"



Detail A  
Monroe Profile

Dimension Table				
Door Size	A	B	C	D
3'-0" x 7'-0"	17 7/8"	9 1/4"	6 1/4"	2 3/8"
2'-10" x 7'-0"	16 7/8"	9 1/4"	5 1/4"	2 3/8"
2'-8" x 7'-0"	15 7/8"	9 1/4"	4 1/4"	2 3/8"
2'-6" x 7'-0"	14 7/8"	7 1/2"	5 1/4"	2 1/8"
2'-4" x 7'-0"	13 7/8"	7 1/2"	4 1/4"	2 1/8"
2'-2" x 7'-0"	12 7/8"	7 1/2"	3 1/4"	2 1/8"
2'-0" x 7'-0"	11 7/8"	6"	4 1/4"	1 5/8"
1'-10" x 7'-0"	10 7/8"	6"	3 1/4"	1 5/8"