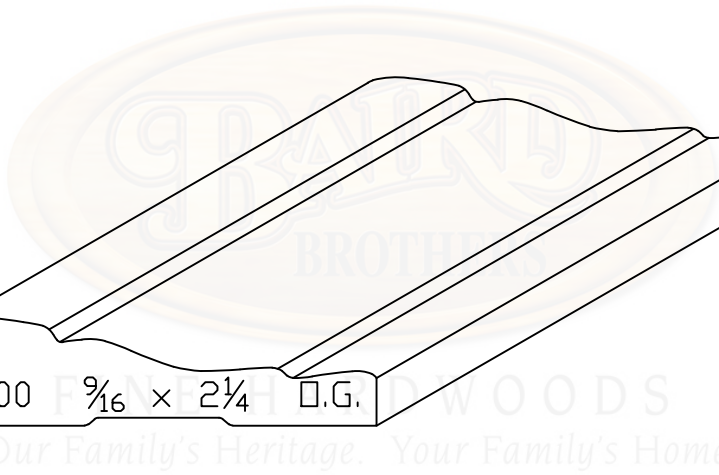


B100  $\frac{9}{16} \times 2\frac{1}{4}$  □.G.


  
 BAIRD BROTHERS FINE HARDWOODS  
 Our Family's Heritage. Your Family's Home.



**Baird Brothers Fine Hardwoods**

Baird Brothers Sawmill Inc. [www.BairdBrothers.com](http://www.BairdBrothers.com)

7060 Croy Rd. Canfield, OH 44406

(330) 533-3122 (800) 732-1697

DATE: 10-25-07	DRAWN BY: MAK	SHEET: 1 of 1
SCALE: 1:1	REV	REV DATE:      REV BY:
DRAWING #: B100	THIS DRAWING IS PROPERTY OF BAIRD BROTHERS SAWMILL INC.	